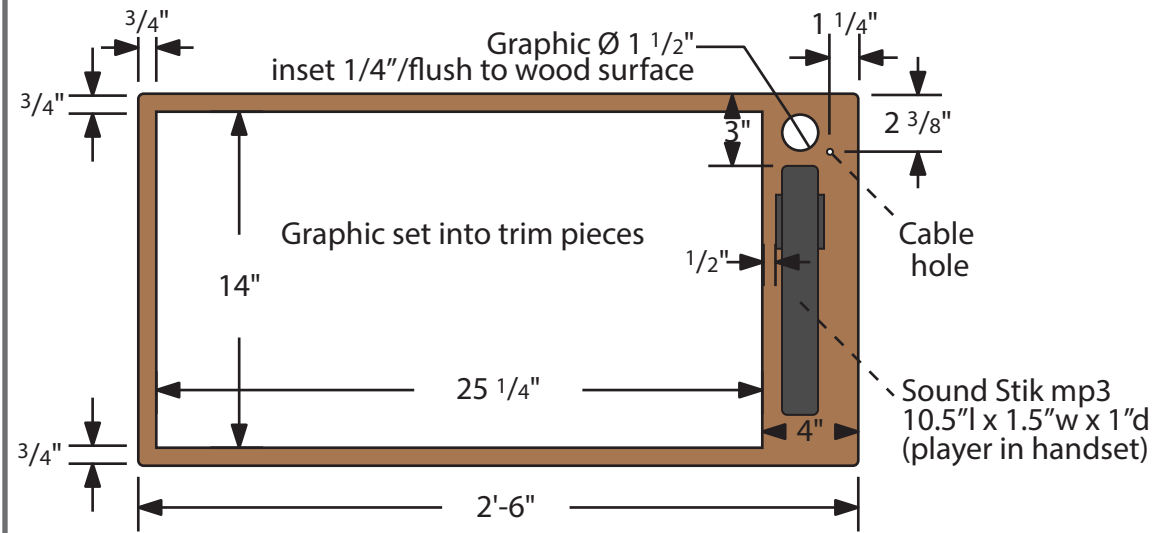


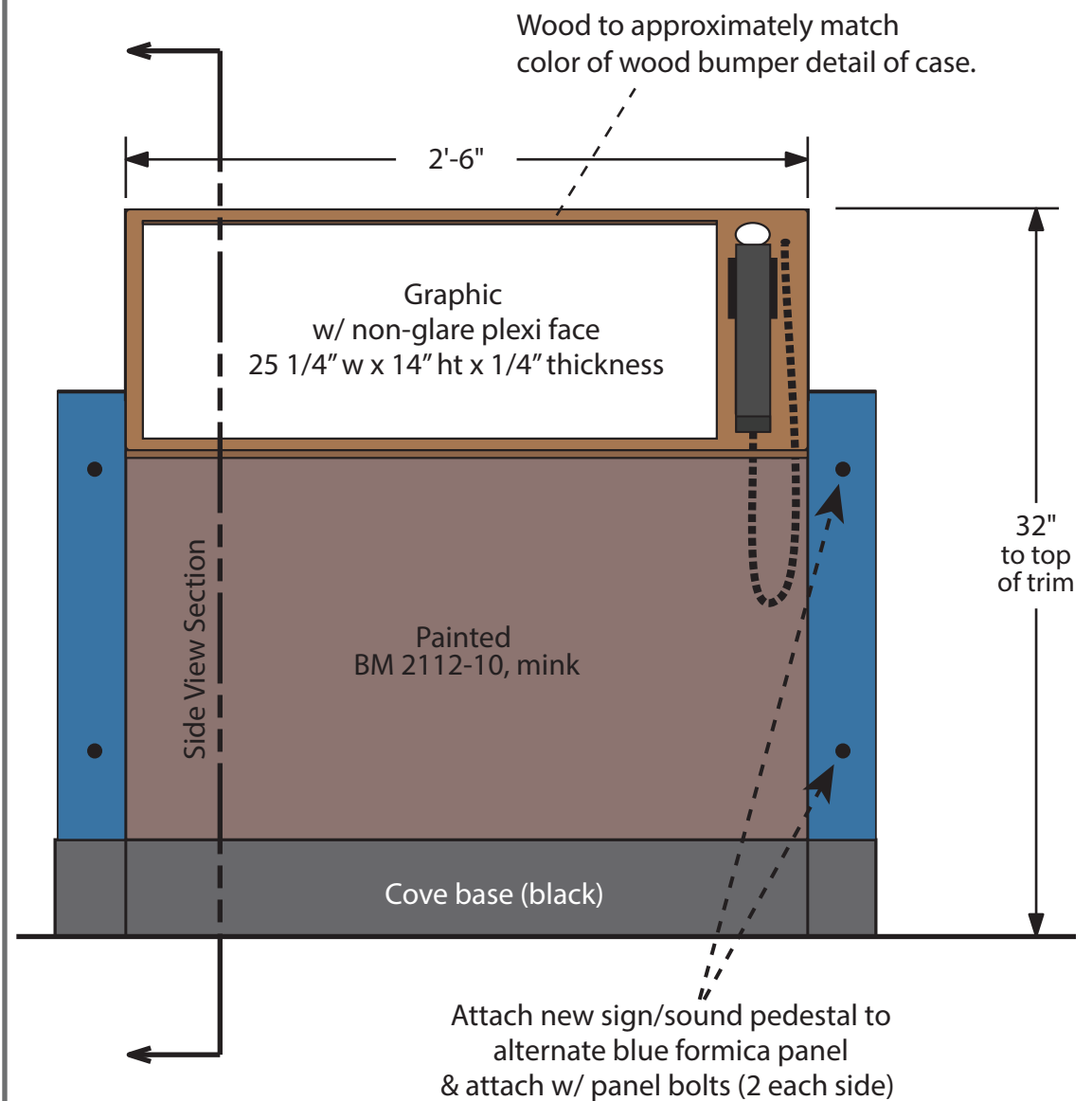
Top View (flattened)

Scale: 1 1/2" = 1'



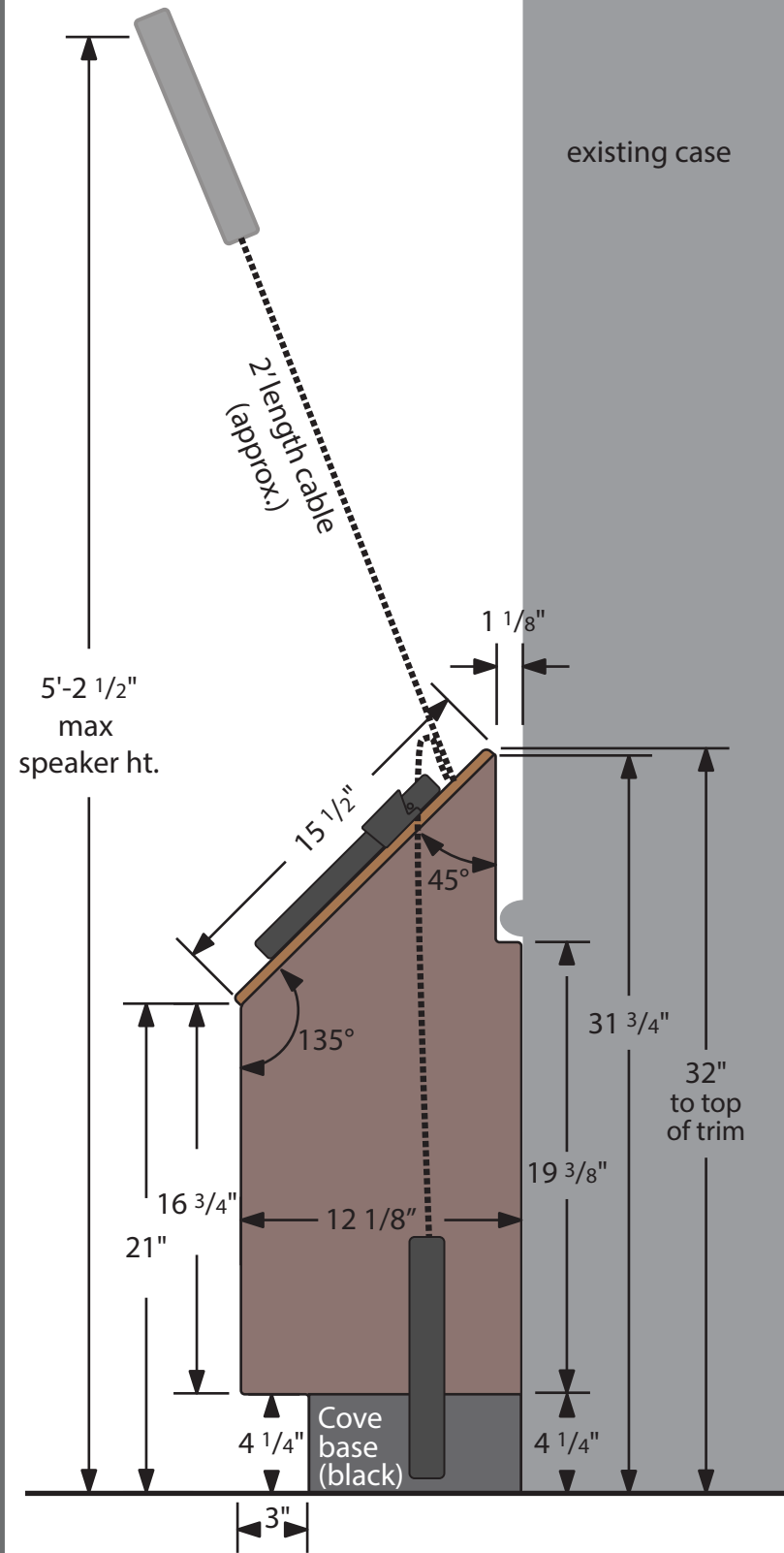
Front View

Scale: 1 1/2" = 1'



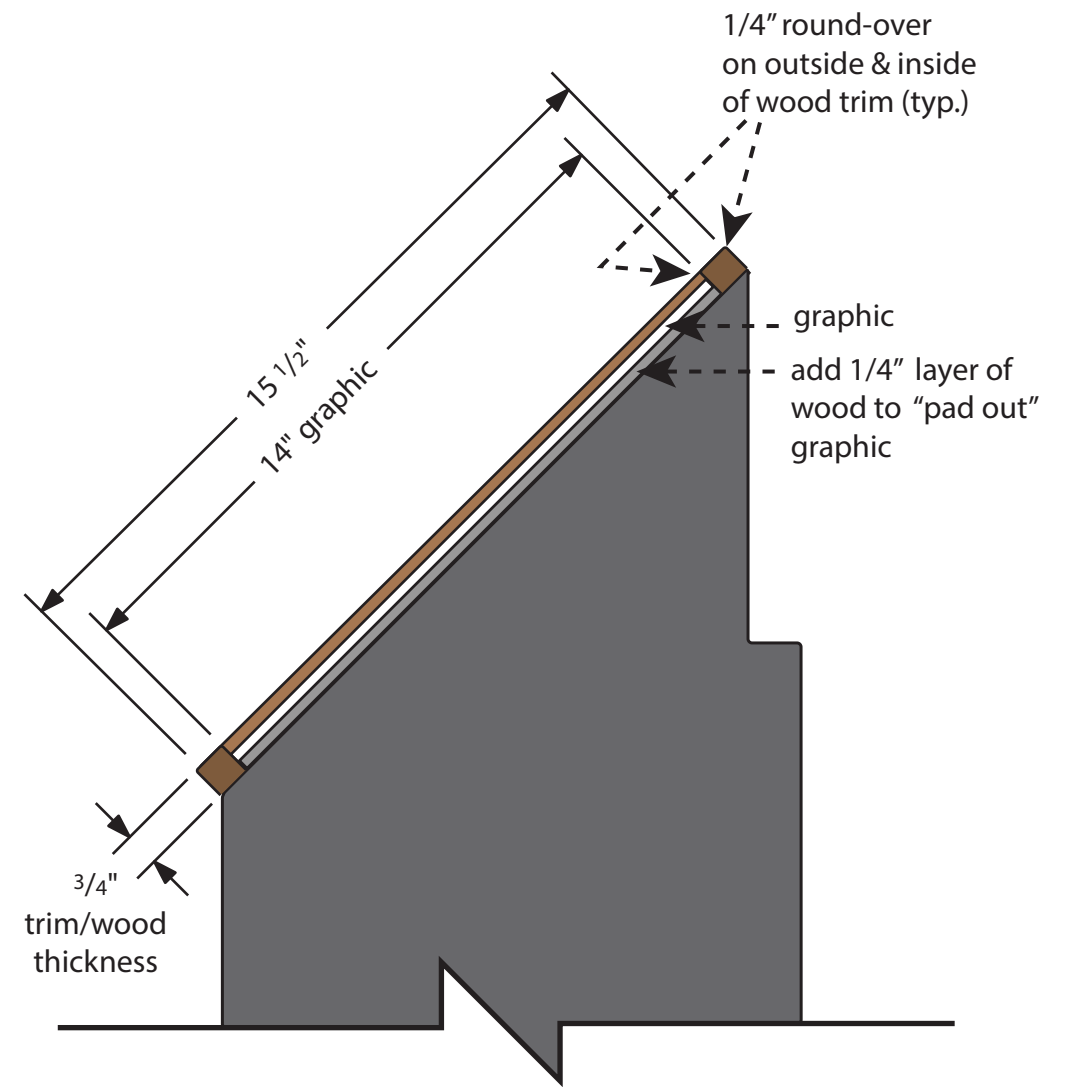
Side View

Scale: 1 1/2" = 1'



Side View Section

Scale: 3" = 1'



CHICAGO CHILDREN'S MUSEUM™			
PROJECT Beidler Case 2016			
DRAWING TITLE Pedestal for Sign & Sound		LOCATION Floor 3	
FILE NAME BeidlerCase_Pedestal_2016-10-26.pdf	PROJECT PHASE Fabrication	DRAWN BY JS	
REVISION/NOTES	DRAWING NO.	SCALE various	DATE 10-26-16